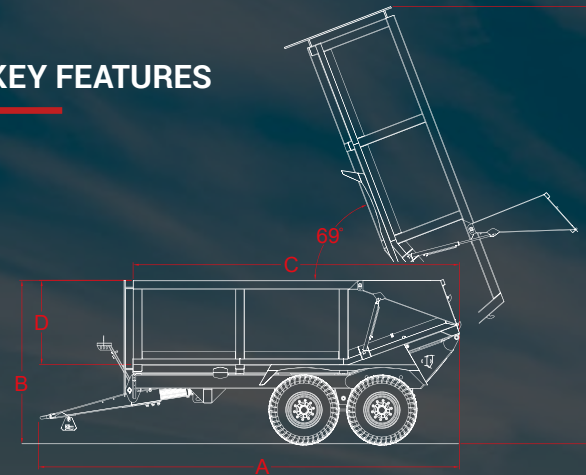


DUMPER

Roadeo Dump Trailers

KEY FEATURES



- High quality and heavy-duty trailer.
- High rear tipping pivot point on DT models.
- 8mm floor and 6mm side thickness on Construction models.
- LED lighting equipment for maximum visibility.
- Commercial running gear c/w 10 stud axles with 420 x 180 mm brakes for maximum braking efficiency.
- 32T parabolic spring set for stability, ride performance and minimal maintenance whilst providing the best of on and off-road handling characteristics.
- A sprung drawbar and tandem sprung axles come as standard to ensure a stable and comfortable ride.
- Hydraulic tailgate with locking valve.
- Shot blasted paint preparation, finished with two pack paint.

ROADEO DUMP Trailer

SPECIFICATIONS

	MODEL		
	DT 1400	DT 1600	CT 1800
Price	£24,000	£26,700	£26,000
Design capacity (kg)	14,000	16,000	18,000
Volume – Cargo (m ³)	17.1	18.8	10.5
Axle track width (mm)	2,000	2,000	2,000
Axle beam (mm)	120 x 120	120 x 120	120 x 120
Brake size (mm)	420 x 180	420 x 180	420 x 180
Axle springs – no. of leaves / leaf size (mm)	3 / 100 x 26	3 / 100 x 26	3 / 100 x 26
Tipping cylinders x capacity (l)	145 x 5 / 26.3	165 x 5 / 34.8	165 x 5 / 34.8
Floor thickness (mm)	6	6	8
Side sheet thickness (mm)	4	4	6
Sprung drawbar	Std.	Std.	Std.
Swivel hitch	Std.	Std.	Std.
Standard wheels	385 / 65 R22.5	385 / 65 R22.5	385 / 65 R22.5
Unladen weight (kg)	6,300	6,600	5,800

DIMENSIONS

		mm		ft		mm		ft	
Overall length	A	7,190	23'7"	7,755	25'5"	6,720	22'0"		
Overall height	B	2,818	9'3"	2,818	9'3"	2,268	7'5"		
Monocoque length	C	5,520	18'2"	6,200	20'4"	5,000	16'5"		
Monocoque height	D	1,450	4'9"	1,450	4'9"	900	2'11"		
Tipped height	E	7,500	24'7"	7,750	25'5"	6,280	20'7"		
Average internal width		2,300	7'6"	2,300	7'6"	2,300	7'6"		
Maximum external width		2,640	8'8"	2,640	8'8"	2,640	8'8"		

OPTIONAL EXTRAS

	Price	MODEL						Price	MODEL							
		CURVE	ROOT	COMPACT & PUSH	DUMP	CONSTRUCTION DUMP	FLATBED		CURVE	ROOT	COMPACT & PUSH	DUMP	CONSTRUCTION DUMP	FLATBED		
Air / hydraulic brakes c/w air load sensing	£1,750	✓	✓	✓	✓	✓	✓	Silage sides Roadeo 1200/1400C	£2,550	✓						
Air only spring brakes in lieu of hydraulic c/w load sensing	£1,550	✓	✓	✓	✓	✓	✓	Silage sides Roadeo 1400/1600/1800	£2,800	✓	✓					
A.B.S.	£1,500	✓	✓	✓	✓	✓	✓	Silage sides Roadeo 2000	£3,100	✓	✓					
Hydraulic brake load sensing valve	£900	✓	✓	✓	✓	✓	✓	Side blow board	£100	✓	✓					
Hydraulic transcover system	£4,900	✓	✓	✓	✓	✓	✓	Rear blower board	£80	✓	✓					
GKN hitch, swivel ring	£300	✓	✓	✓	✓	✓	✓	Silage extensions	£1,400			✓				
K80 ball	£600	✓	✓	✓	✓	✓	✓	Hydraulic fold down front silage extension	£800			✓				
Steering axle, active	£7,600	✓	✓	✓	✓	✓	✓	Manual grain roll-over sheet	£2,500	✓	✓	✓				
Steering rear axle, passive	£4,000	✓	✓	✓	✓	✓	✓	Hydraulic grain roll over sheet	£3,700	✓	✓	✓				
Strap box	£275	✓	✓	✓	✓	✓	✓	Silage side lift off frame	£450	✓	✓					
Work lights (pair)	£300	✓	✓	✓	✓	✓	✓	Grain chute	£300	✓	✓	✓				
Hydraulic jack	£500	✓	✓	✓	✓	✓	✓	Rear hitch c/w 7 pin socket and brake connection	£600	✓	✓	✓	✓	✓	✓	
Manual pump for jack	£400	✓	✓	✓	✓	✓	✓	Fixed drawbar	£1,000							✓
Under run bars (side)	£500	✓	✓	✓	✓	✓	✓	Reverse light (tipping switch)	£500	✓	✓	✓				
Rear towing eye	£100	✓	✓	✓	✓	✓	✓	Long front mud flaps	£200	✓	✓	✓	✓	✓		
Air suspension	£2,500	✓	✓	✓	✓	✓	✓	Grain sock	£300	✓	✓	✓				
Weigh Cells	£10,500			✓				Box pusher	£850							✓

✓ = Compatible

OPTIONAL EXTRAS | ROADEO DUMP Trailer

TYRE Prices per wheel (£)

	Price (per wheel)	MODEL					FLATBED
		CURVE	ROOT	COMPACT & PUSH	DUMP	CONSTRUCTION DUMP	
710/50 R26.5 - Alliance 882 172D	£1,800			✓			
650/55 R26.5 - BKT 693M 178D	£1,801	✓	✓	✓			
650/55 R26.5 - Alliance 882 170D	£1,600	✓	✓	✓			
650/55 R22.5 - Alliance 885 170D	£1,600	✓	✓	✓			
560/60 R22.5 Michelin Cargo Bibs*	£1,050	✓	✓	✓	✓	✓	
560/60 R22.5 - Alliance 390 170D	£1,600	✓	✓	✓	✓	✓	
560/60 R22.6 - BKT FL 693M 165D*	£900	✓	✓	✓	✓	✓	
560/45 R22.5 - BKT FL 693 M*	£890	✓ [up to 1400]	✓ [up to 1400]		✓ [up to 1400]		✓ [up to 1400]
445/45 R19.5	£500						✓

*Not for high speed over 18 tonnes unless on a Tri-Axle

FINANCE Available

As a family-run business, we appreciate that purchasing high-quality farm machinery isn't always straight-forward, and that is why we offer bespoke finance packages that suit you and your business.

If you would like more information, a quotation or to apply for finance please call the team directly on 01780 763836 or call Tom on 07702 947182.

K Two Sales Ltd are an Introducer Appointed Representative of Charles And Dean Ltd who are authorised and regulated by the Financial Conduct Authority (FCA No: 653492). We act as a credit broker and not a lender.

